

BOB

S  
H  
E

uultis

VINE



DESIGNED BY  
SÉRGIO BATISTA



# VINE

---

The Vine chair is a statement in outdoor elegance, featuring a solid wood frame and wood seat. Its vertical wooden slats and nautical rope weave backrest offer both comfort and durability, providing the perfect seating solution for balconies and outdoor spaces.



## STRUCTURE

*Constructed with a solid wood frame, the Vine chair features a wood seat and backrest supported by a solid wood crosspiece. The addition of a nautical rope weave further enhances both the comfort and durability of the piece.*

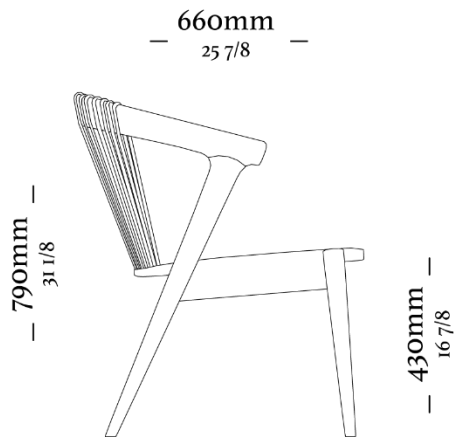
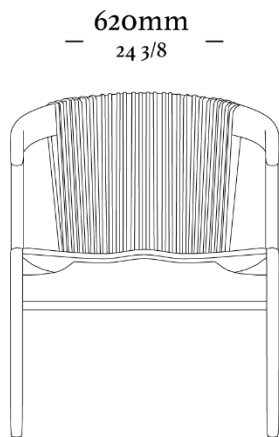
## FINISHES

*Wood: 152*

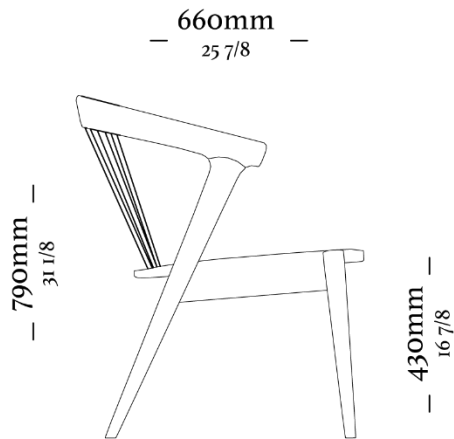
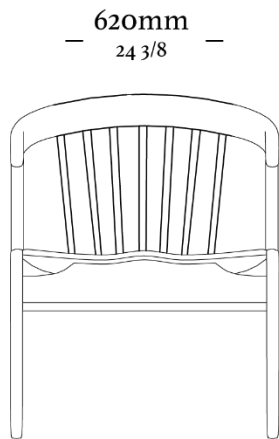
*Rope: Varanda Sense nautical ropes*

# VINE

---



**MH9417**  
620x660x790mm



**MH3727**  
620x660x790mm



uultis

BR 116, DOIS IRMÃOS,

RS | BRASIL

51 3564 8382

UULTIS.COM

CONTATO@UULTIS.COM

