

BOB

SHELS

uultis

T A I



DESIGNED BY  
SÉRGIO BATISTA



# T A I

---

The Tai armor is full of personality and has exclusive characteristics. The details of the artisan carpentry give a style of its own to the product. It's very inspiration.



## STRUCTURE

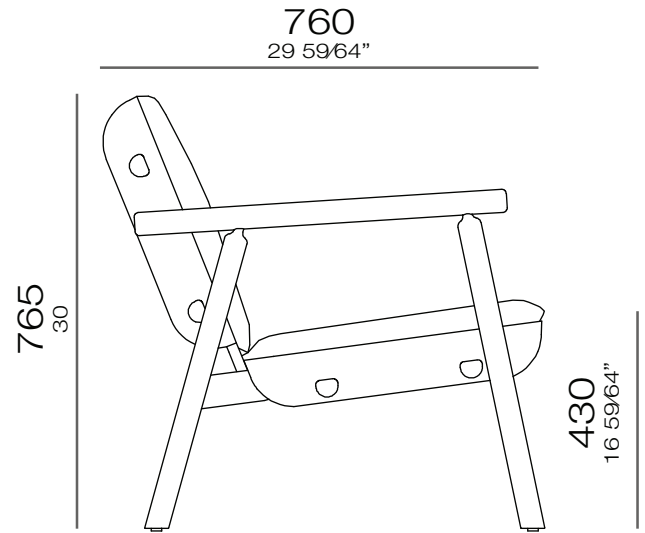
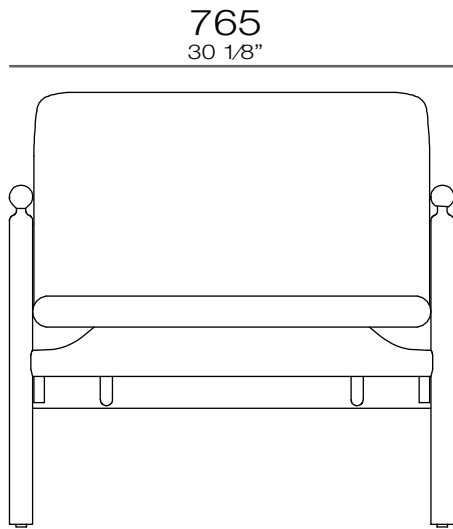
*Armchair in solid wood and multilaminated plates on the seat and backrest covered with natural wood. The seat and backrest have loose cushions..*

## FINISHINGS

*Wood: 071TC, 077TC, 079TC, 080TC, 145MC, 148MT Fabric: the entire palette of Uultis fabrics, including leather.*

## COMPOUND

*Base + Backrest and Seat.*





uultis

BR 116, DOIS IRMÃOS

RS | BRASIL

+55 51 3564 8382

UULTIS.COM

CONTATO@UULTIS.COM

