

BOB

SHE

ultis

C U B I



DESIGNED BY
LARISSA BATISTA



C U B I

Cubi, as the name itself suggests, has geometric shapes and pure lines, forming a harmonious and elegant combination. It is all wrapped in fabric, with support on wooden legs



The Cubi dining chair is able to harmonize a design of pure and geometric lines with the solidity of solid wood, in an imposing and comfortable piece.

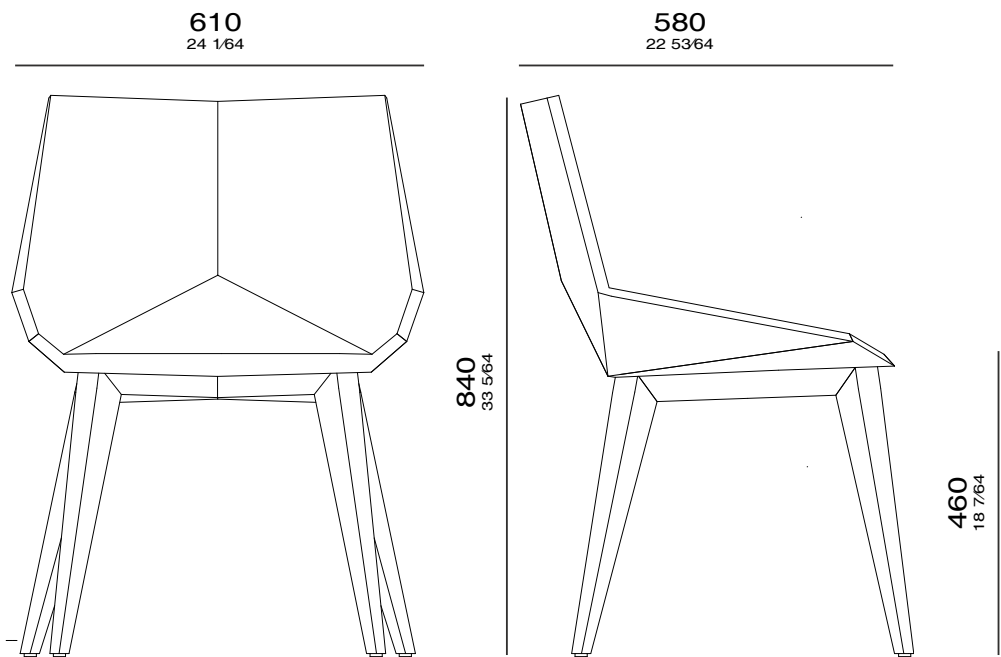
STRUCTURE

Dining chair with MDF structure assembled with steel clips and fixed with PVA glue (suitable for wood). Coated in high density foam and fabric. It also has feet in solid wood with natural finish.

FINISHINGS

Palette of Uultis fabric with a composition affixed in fabric that accompanies the product. Wood: 79TC, 148MT.

C U B I ---





uultis

B R I I 6 , D O I S I R M Ã O S

R S | B R A S I L

+ 5 5 5 1 3 5 6 4 8 3 8 2

U U L T I S . C O M

C O N T A T O @ U U L T I S . C O M

