

FOR

S  
H  
E

multis

F O R K



DESIGNED BY  
SÉRGIO BATISTA



# F O R K

---

The light lines and harmonious shapes make this dining chair elegant while at the same time the design of the backrest brings charm and personality. Comfort and beauty come together to form the Fork chair.



## COMFORT SYSTEMS

*The comfort system of foam are composed by different densities and foam types, providing a great weight support and good resilience. Sometimes it can also include a molded piece of layer glued that helps to achieve a better comfort. All the foams are produced with high quality, proven efficiency and the best part: Ecologically right (low CFC emission).*

## STRUCTURE

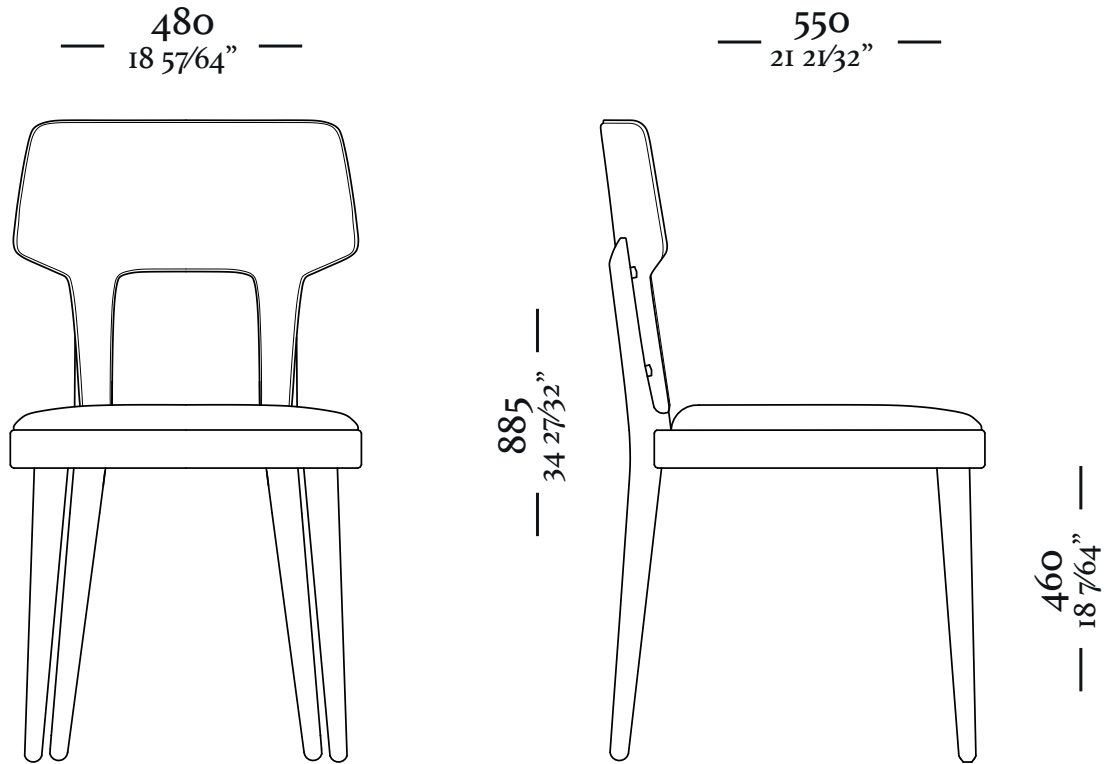
*Dining chair with a solid wood structure fixed with staples, metal screws and PVA glue (suitable for wood). The seat and backrest have high density foam, adding firmness and support when sitting without losing comfort and resilience.*

## FINISHES/ COVERING

*Finishes and coverings available according to the price list. It is a wide variety of finishes and coverings to compose unique pieces.*

# F O R K

---



uultis

B R I I 6 , D O I S I R M Ã O S

R S | B R A S I L

5 1 3 5 6 4 8 3 8 2

U U L T I S . C O M

C O N T A T O @ U U L T I S . C O M

