

BOB

SHE

uultis

S O L E



DESIGNED BY
LARISSA BATISTA



S O L E

This armchair is a reinterpretation of the scandinavian style, with a multilaminated wooden shell coated with the best foam, contorned by a round wooden structure, invites us to experience all its comfort and ergonomics applied in its construction, is an essential piece.



STRUCTURE

Armchair with solid wood structure with upholstered seat and backrest.

FINISHINGS

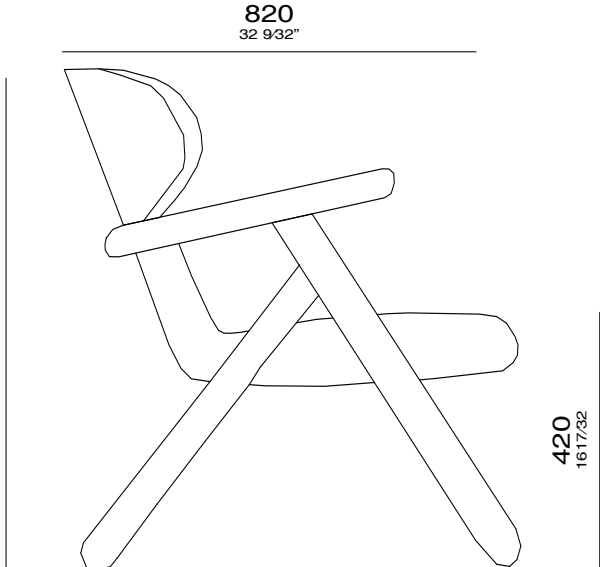
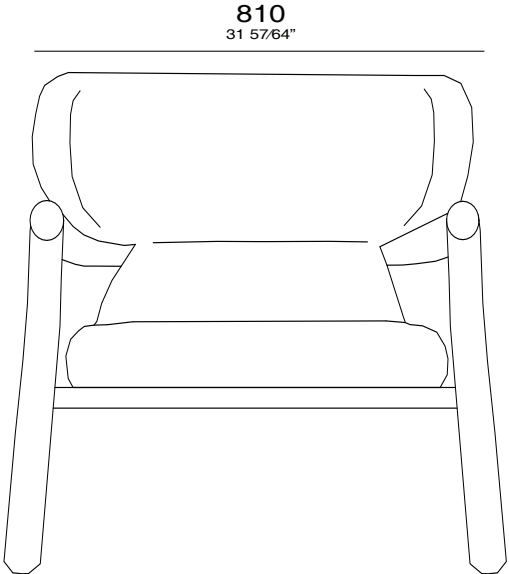
Wood: 079CV - 145LC - 148LT.

Fabric: Palette of Uultis fabrics including leather.

COMPOUND

Upholstered part - front / back.

S O L E



uultis

B R I I 6 , D O I S I R M Ã O S

R S | B R A S I L

+ 5 5 5 1 3 5 6 4 8 3 8 2

U U L T I S . C O M

C O N T A T O @ U U L T I S . C O M

