

BOB

S
H
R

uultis

L A G U N A



DESIGNED BY
ACIOLE FÉLIX



LAGUNA

Through an exploration of common visual elements, the Laguna armchair incorporates references to nature and elements of modern architecture. Mixing metal, wood, fabric and straw, Laguna translates new details and opens up a world of infinite possibilities.



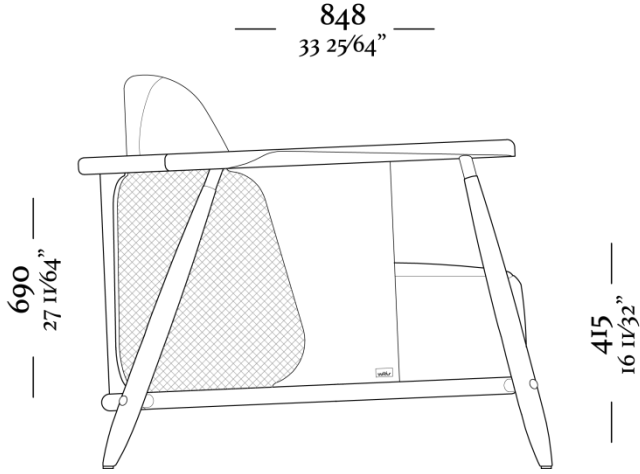
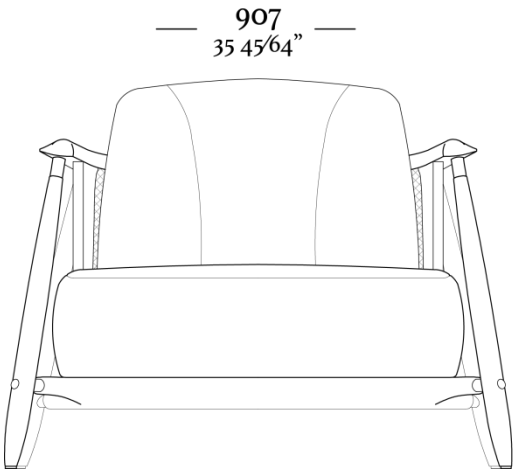
STRUCTURE

High-quality solid wood structure.
MDF sides with a wood veneer or lacquered finish.
Backrest made from a multi-veneer piece
Detailing at connection between metal parts.
The seat and backrest are fitted with elastic in a layer of Ecosoft foam.

FINISHING/UPHOLSTERY

Finishing and upholstery available according to price list. Laguna offers a wide variety of finishings and upholstery to create a truly unique piece

LAGUNA



uultis

BR 116, DOIS IRMÃOS

RS | BRASIL

51 3564 8382

UULTIS.COM

CONTATO@UULTIS.COM

